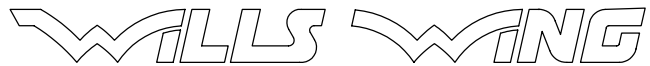
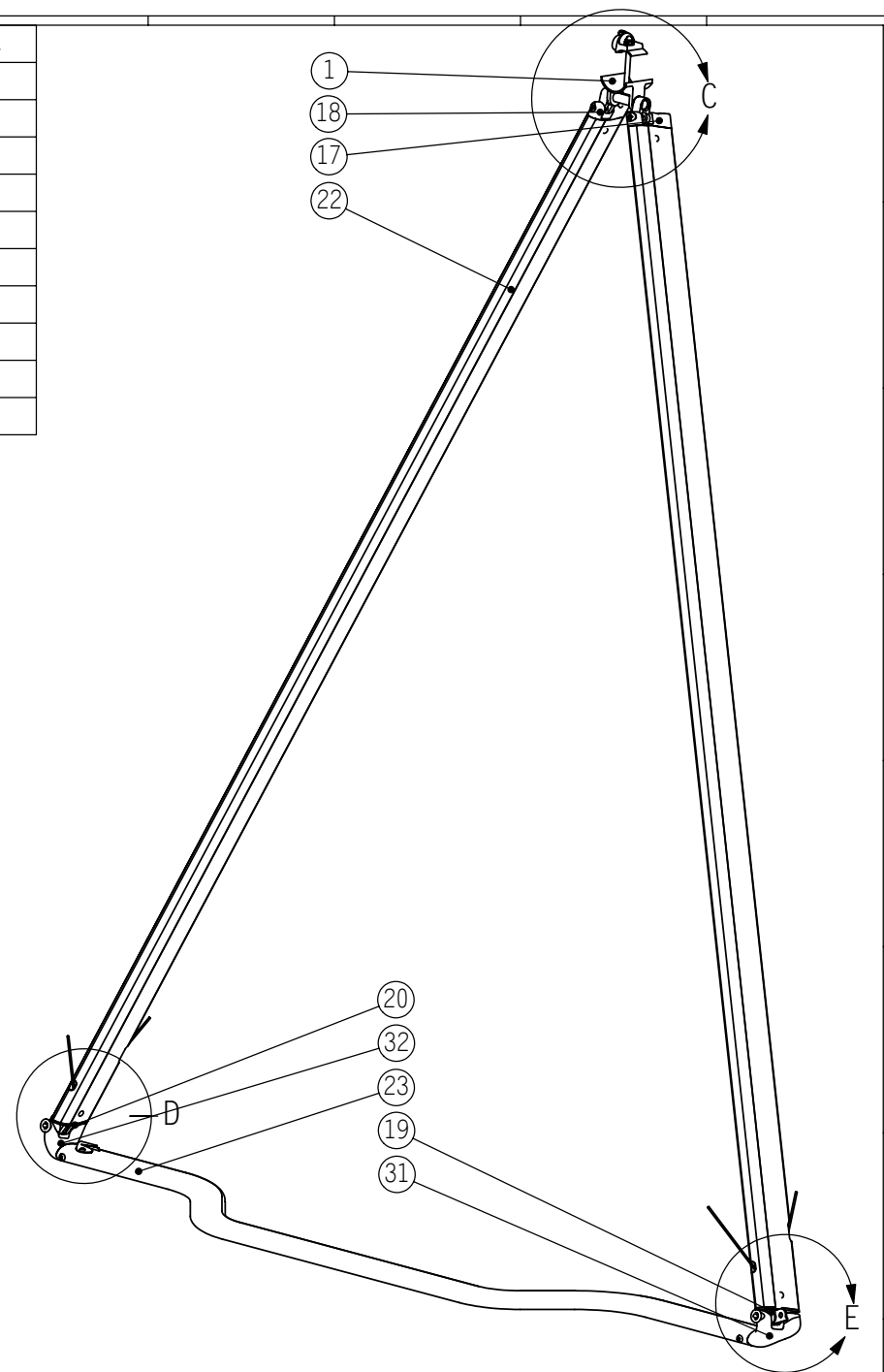


| ITEM | Part No  | Description                             | QTY. |
|------|----------|---|------|
| 1    | 20G-1613 | BRACKET KEEL CNTR FALCON 52             | 1    |
| 17   | 20G-1476 | CB PLUG SLIPSTRM LEG TOP LEFT           | 1    |
| 18   | 20G-1477 | CB PLUG SLIPSTRM LEG TOP RIGHT          | 1    |
| 19   | 20G-1486 | CB PLUG SLIPSTRM LEG BOTTOM LT          | 1    |
| 20   | 20G-1487 | CB PLUG SLIPSTRM LEG BOTTOM RT          | 1    |
| 22   | 40G-1451 | SLIPSTREAM LEG 65 W/O BRKTS (T140)      | 2    |
| 22   | 40G-1441 | SLIPSTREAM LEG 68 W/O BRKTS (T150 T160) | 2    |
| 23   | 40F-1511 | BASETUBE ALUM SLPSTRM NO BRKTS          | 1    |
| 31   | 20G-1841 | Alum Strm Btube Brkt 6-15 Lt            | 1    |
| 32   | 20G-1842 | Alum Strm Btube Brkt 6-15 Rt            | 1    |



500 BLUERIDGE AVE • ORANGE, CA 92865 • PH/FAX (714) 998-6359 / 998-0647

TITLE:  
**Talon Slipstream Control Bar Assembly**

SLDDWF ID:  
Talon Slipstream

DOCUMENT ID:

DRAWN:  
10/7/2003

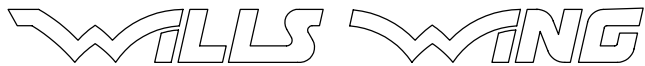
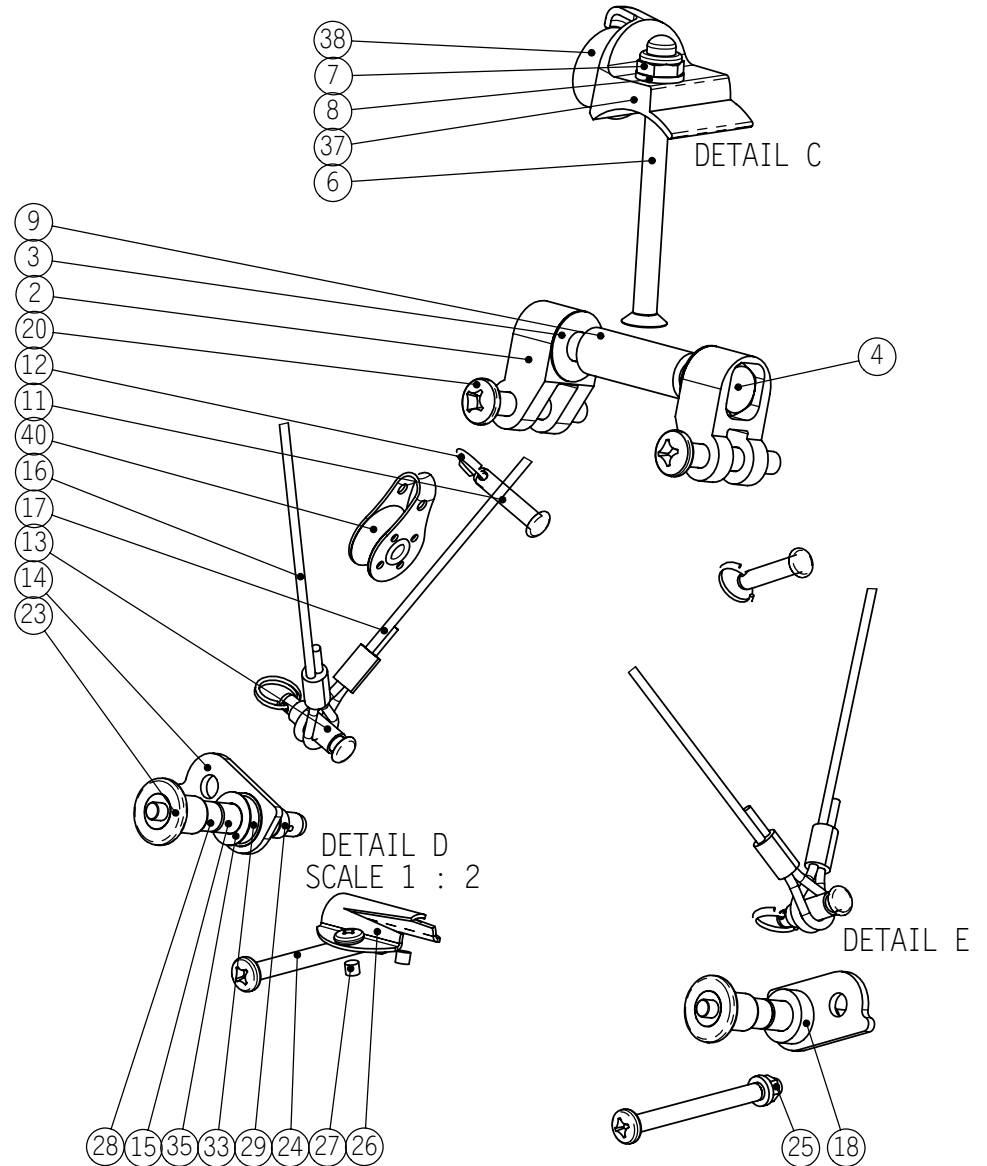
REVISED:  
3/30/2004

STATUS:  
-

BY:  
PEARSON

REVISION:  
**C**

| ID | Part No  | Part Name                                 | QTY |
|----|----------|---|-----|
| 2  | 20G-1712 | CBAR ELBOW AT TOP STREAM                  | 2   |
| 3  | 10U-5125 | WASHER NYLON .75 X .316 X .020            | 2   |
| 4  | 10A-3261 | AN5-26A                                   | 1   |
| 5  | 10N-1030 | LOCKNUT 5/16 AN365-5                      | 1   |
| 6  | 10C-2391 | NAS517-439                                | 1   |
| 7  | 10N-0040 | LOCKNUT LOW PRO 52NKTE-048                | 1   |
| 8  | 10U-1140 | WASHER STEEL AN960-416 1/4 THICK          | 1   |
| 9  | 10T-1133 | SPACER AL .5 X .083 X 1.42                | 1   |
| 11 | 10G-1250 | MS20392-2C25                              | 4   |
| 12 | 10P-1100 | SAFETY RING AN 9491 SMALL                 | 4   |
| 13 | 10T-1102 | SPACER AL .250 X .028 X .615              | 2   |
| 14 | 40P-3105 | WIRE BOTTOM SIDE SLIPSTREAM               | 2   |
| 15 | 10T-4120 | BUSH SS .3115 X .028 X .850               | 2   |
| 16 | 40P-3302 | WIRE SET BOTTOM REAR SLIPSTREAM           | 2   |
| 17 | 40P-3203 | WIRE SET BOTTOM FRONT SLIPSTREAM          | 2   |
| 18 | 10T-5103 | SPACER NY .560 X .320 X .187              | 1   |
| 20 | 10C-5181 | NAS623-4-18                               | 2   |
| 23 | 10K-3133 | PIN BALL LOCK 1/4 X 33MM GRIP             | 2   |
| 24 | 10C-4301 | NAS623-3-30                               | 2   |
| 25 | 10N-1730 | CLINCH NUT 3/16 MS20142-3                 | 2   |
| 26 | 20C-1802 | JAMCLEAT V CUT SMALL SS                   | 1   |
| 27 | 10M-1651 | SCREW PAN 8-32 X .375 THRD CUT            | 2   |
| 28 | 10T-4113 | BUSH SS .312 X .028 X .240                | 2   |
| 29 | 10T-4114 | BUSH SS .312 X .028 X .125                | 2   |
| 33 | 20P-1270 | BEARING .5 OD .312 ID .156 TH.SLDPRT      | 1   |
| 35 | 10U-5095 | WASHER NYLON .560 X .320 X .013           | 2   |
| 37 | 20G-1510 | Bracket, VG Pulley Keel Mount             | 1   |
| 38 | 20P-1230 | PULLEY HARKN SHEAVE TOP LEG VG            | 1   |
| 39 | 10B-1101 | AN23-10A                                  | 1   |
| 40 | 20P-1201 | PULLEY RONSTAN #666                       | 1   |
| 41 | 10U-8020 | WASHER STEEL EXTRNL TOOTH #10 ZINC PLATED | 2   |



500 BLUERIDGE AVE • ORANGE, CA 92865 • PH/FAX (714) 998-6359 / 998-0647

TITLE:

Talon Slipstream Control Bar Assembly

REVISION:

C

SLDDWF ID:

Talon Slipstream

DOCUMENT ID:

DRAWN:

10/7/2003

REVISED:

3/30/2004

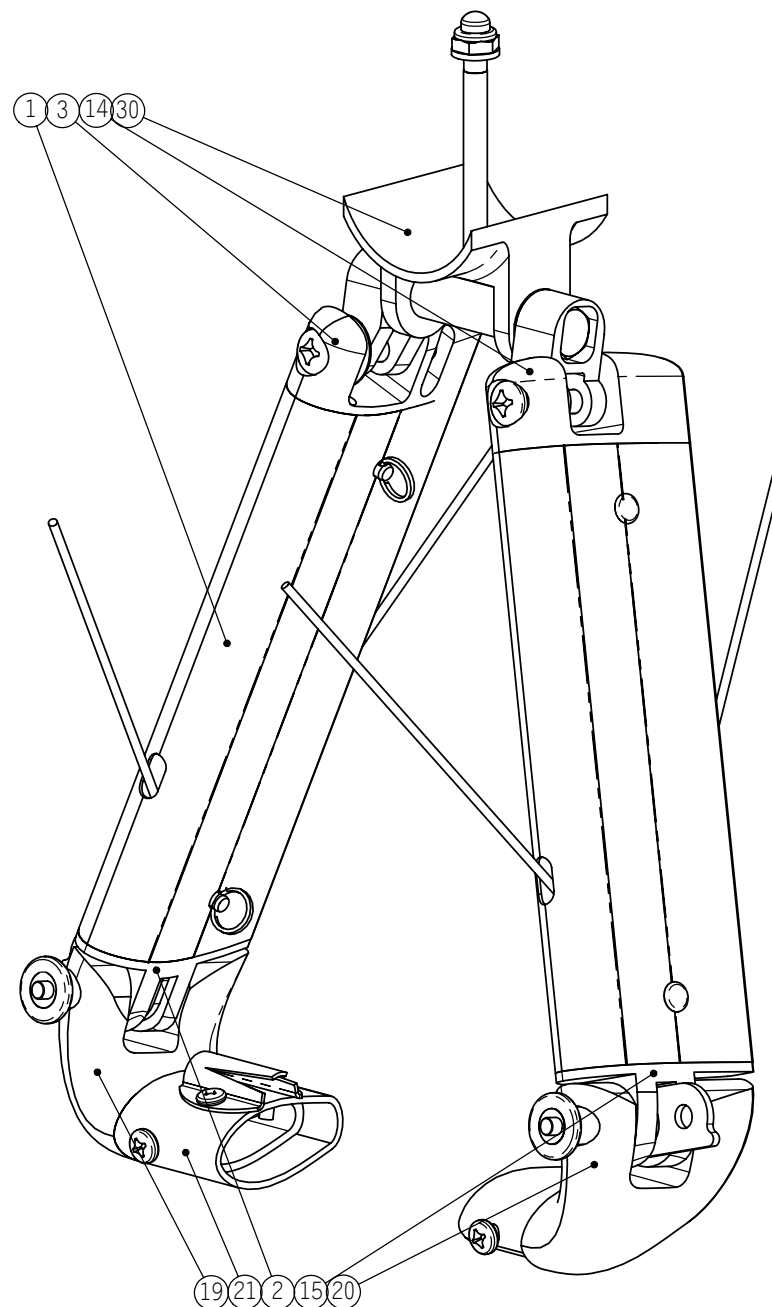
STATUS:

-

BY:

PEARSON

| ID | Part No  | Part Name                                 | QTY. |
|----|----------|---|------|
| 1  | 40G-1474 | LITESTREAM LEG 68 W/O BRKTS (U2 160/T150) | 2    |
| 1  | 40G-1471 | LITESTREAM LEG 65 W/O BRKTS (U2 145/T140) | 2    |
| 2  | 20G-1489 | CB Plug Litestream Leg Bottom Right       | 1    |
| 3  | 20G-1479 | CB Plug Litestream Leg Top Right          | 1    |
| 14 | 20G-1478 | CB Plug Litestream Leg Top Left           | 1    |
| 15 | 20G-1488 | CB Plug Litestream Leg Bottom Left        | 1    |
| 19 | 20G-1844 | Litestream Basetube Bracket Right         | 1    |
| 20 | 20G-1843 | Litestream Basetube Bracket Left          | 1    |
| 21 | 40F-1511 | BASETUBE ALUM SLPSTRM NO BRKTS            | 1    |
| 30 | 20G-1613 | BRACKET KEEL CNTR FALCON 52               | 1    |



**WILLS WING**

500 BLUERIDGE AVE • ORANGE, CA 92865 • PH/FAX (714) 998-6359 / 998-0647

TITLE:  
**Talon Litestream Control Bar Assembly**

SLDDWF ID:  
Talon Litestream C

DOCUMENT ID:

DRAWN:  
NA

REVISED:  
3/30/2004

STATUS:  
-

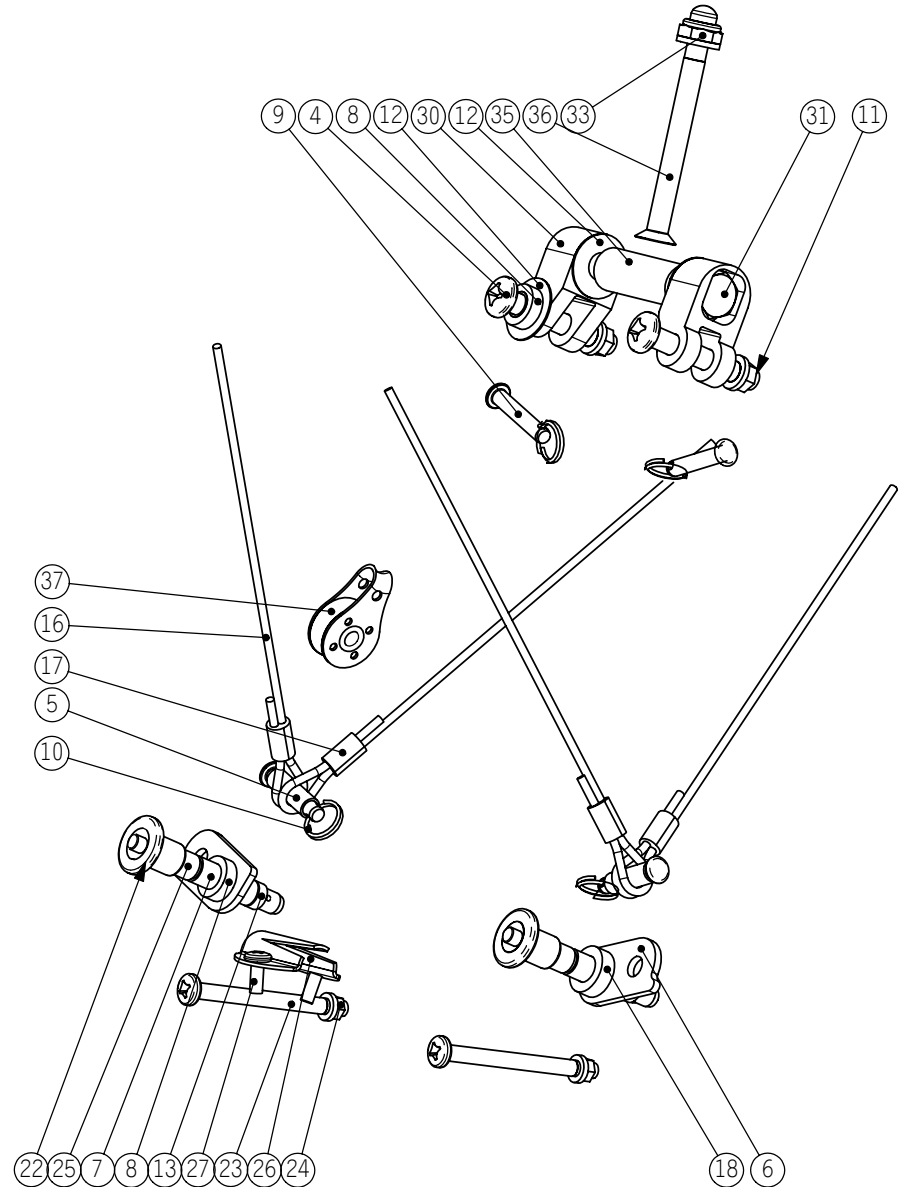
BY:  
PEARSON

REVISION:  
**C**

| ID | Part No  | Part Name                            | QTY |
|----|----------|--------------------------------------|-----|
| 4  | 10C-5211 | NAS623-4-21                          | 2   |
| 5  | 10T-1103 | SPACER AL .250 X .028 X .770         | 2   |
| 6  | 40P-3105 | WIRE BOTTOM SIDE SLIPSTREAM          | 2   |
| 7  | 10T-4120 | BUSH SS .3115 X .028 X .850          | 2   |
| 8  | 20P-1270 | BEARING .5 OD .312 ID .156 TH.SLDPRT | 2   |
| 9  | 10G-1290 | MS20392-2C29                         | 4   |
| 10 | 10P-1100 | SAFETY RING AN 9491 SMALL            | 4   |
| 11 | 10N-1740 | CLINCH NUT 1/4 MS21042-4             | 2   |
| 12 | 10U-5125 | WASHER NYLON .75 X .316 X .020       | 3   |
| 13 | 10T-4114 | BUSH SS .312 X .028 X .125           | 3   |
| 16 | 40P-3203 | WIRE SET BOTTOM FRONT SLIPSTREAM     | 1   |
| 17 | 40P-3302 | WIRE SET BOTTOM REAR SLIPSTREAM      | 1   |
| 18 | 10T-5103 | SPACER NY .560 X .320 X .187         | 1   |
| 22 | 10K-3133 | PIN BALL LOCK 1/4 X 33MM GRIP        | 2   |
| 23 | 10C-4301 | NAS623-3-30                          | 2   |
| 24 | 10N-1730 | CLINCH NUT 3/16 MS20142-3            | 2   |
| 25 | 10T-4113 | BUSH SS .312 X .028 X .240           | 2   |
| 26 | 20C-1802 | JAMCLEAT V CUT SMALL SS              | 1   |
| 27 | 10M-1651 | SCREW PAN 8-32 X .375 THRD CUT       | 2   |
| 30 | 20G-1712 | CBAR ELBOW AT TOP STREAM             | 2   |
| 31 | 10A-3261 | AN5-26A                              | 1   |
| 32 | 10N-1030 | LOCKNUT 5/16 AN365-5                 | 1   |
| 33 | 10N-0040 | LOCKNUT LOW PRO 52NKTE-048           | 1   |
| 34 | 10U-1140 | WASHER STEEL AN960-416 1/4 THICK     | 1   |
| 35 | 10T-1133 | SPACER AL .5 X .083 X 1.42           | 1   |
| 36 | 10C-2341 | NAS517-434                           | 1   |
| 37 | 20P-1201 | PULLEY RONSTAN #666                  | 1   |

3/30/2004 Assembly Notes:

Item 25,13 permanent press fit in Basetube Brackets  
Item 7 removeable fit in bottom leg plug. Front side of bushing is knurled for tight fit. Install from front to rear. Retains sidewire, VG bearing, washers and spacers.  
Item 5 slip fit assembly aid for FR-RR wires in bottom leg plug.



500 BLUERIDGE AVE • ORANGE, CA 92865 • PH/FAX (714) 998-6359 / 998-0647

TITLE:  
**Talon Litestream Control Bar Assembly**

REVISION:  
**C**

SLDDWF ID:  
Talon Litestream C

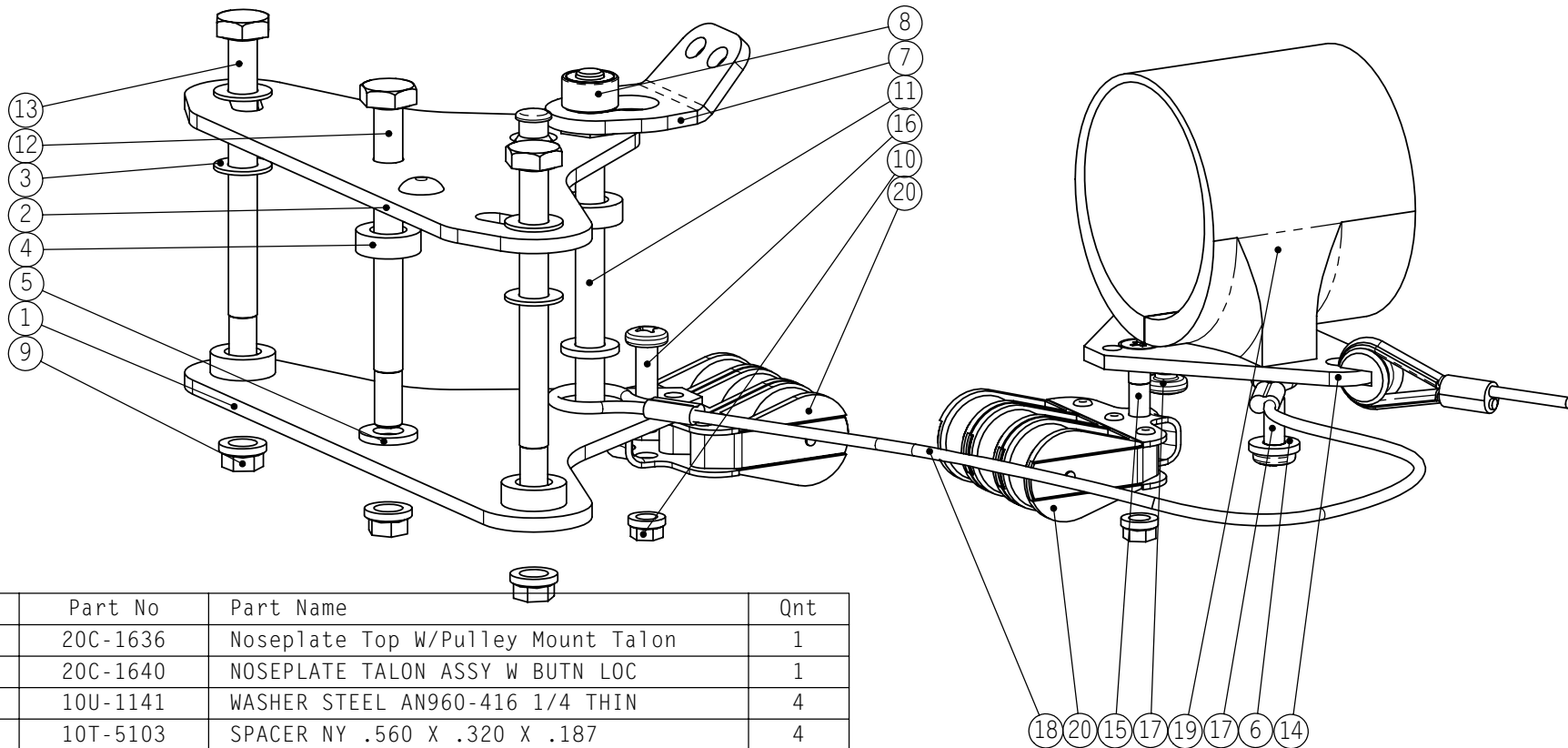
DOCUMENT ID:

DRAWN:  
NA

REVISED:  
3/30/2004

STATUS:  
-

BY:  
PEARSON



| ID | Part No  | Part Name                           | Qty |
|----|----------|-------------------------------------|-----|
| 1  | 20C-1636 | Noseplate Top W/Pulley Mount Talon  | 1   |
| 2  | 20C-1640 | NOSEPLATE TALON ASSY W BUTN LOC     | 1   |
| 3  | 10U-1141 | WASHER STEEL AN960-416 1/4 THIN     | 4   |
| 4  | 10T-5103 | SPACER NY .560 X .320 X .187        | 4   |
| 5  | 10U-1140 | WASHER STEEL AN960-416 1/4 THICK    | 2   |
| 6  | 10U-1130 | WASHER STEEL AN960-10               | 1   |
| 7  | 40P-3203 | WIRE SET BOTTOM FRONT SLIPSTREAM    | 1   |
| 8  | 20G-2905 | COLLAR LOPRO KEYHOLE TANG NOSE ASSY | 1   |
| 9  | 10N-1740 | CLINCH NUT 1/4 MS21042-4            | 3   |
| 10 | 10N-1730 | CLINCH NUT 3/16 MS20142-3           | 2   |
| 11 | 10A-2311 | AN4-31A                             | 1   |
| 12 | 10A-2271 | AN4-27A                             | 1   |
| 13 | 10A-2301 | AN4-30A                             | 2   |
| 14 | 40P-5102 | Wire VG Cam Lever Set               | 1   |
| 15 | 10C-1151 | BOLT NAS 517-3-5                    | 1   |
| 16 | 10C-4081 | NAS623-3-8                          | 1   |
| 17 | 10L-1061 | SCREW PAN 3/16 MS35207-263          | 2   |
| 18 | 40P-5120 | WIRE VG SLED LIMITER                | 1   |
| 19 | 15J-3031 | CAM VG KEEL SLED UHMW               | 1   |
| 20 | 20P-1250 | PULLEY RONSTAN TRIPLE NO BECKT      | 2   |

**WILLS WING**

500 BLUERIDGE AVE • ORANGE, CA 92865 • PH/FAX (714) 998-6359 / 998-0647

TITLE:  
**Talon 2002 Noseplate**

SLDDWF ID:  
noseplate

DOCUMENT ID:

DRAWN:

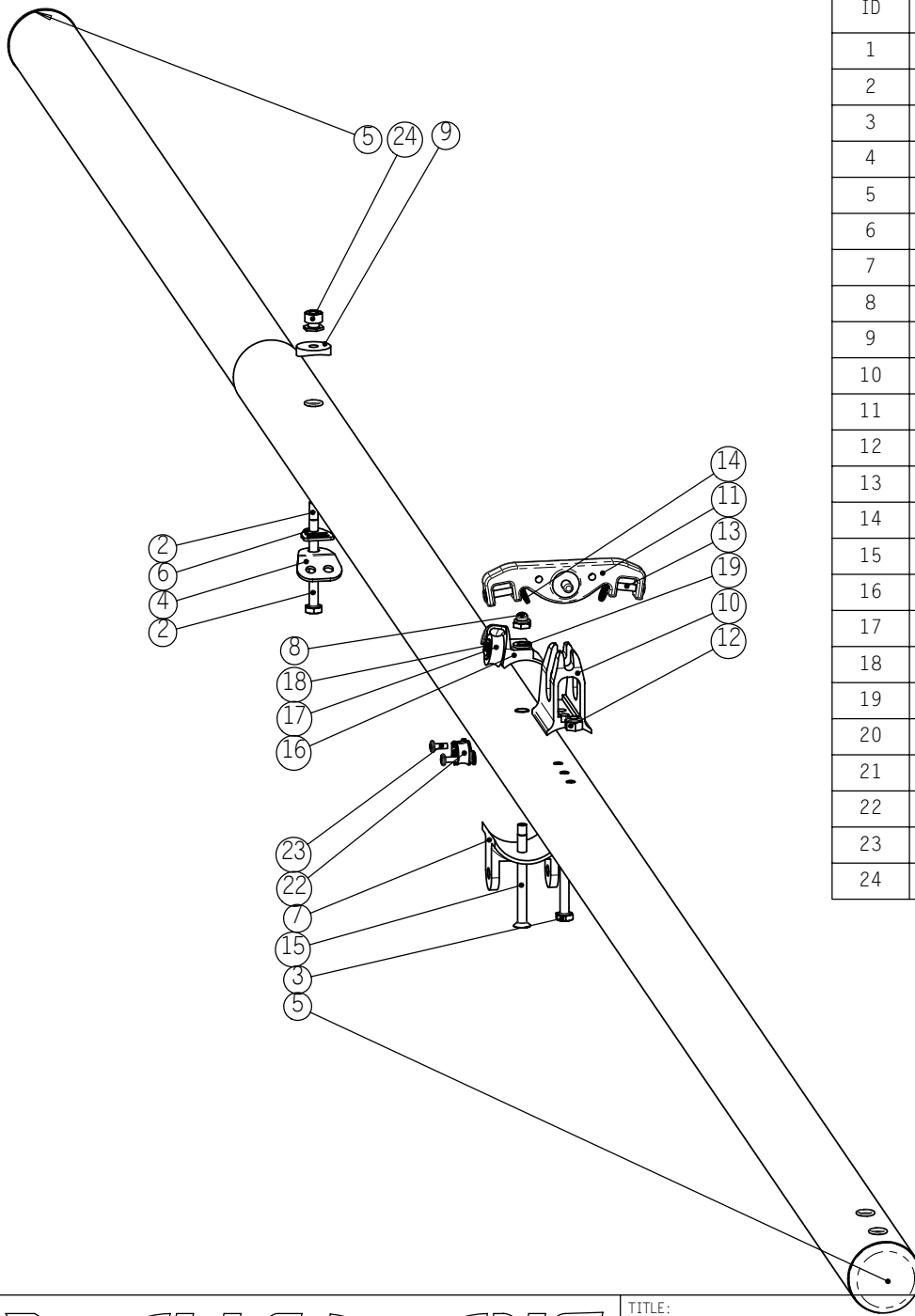
REVISED:  
3/30/2004

STATUS:

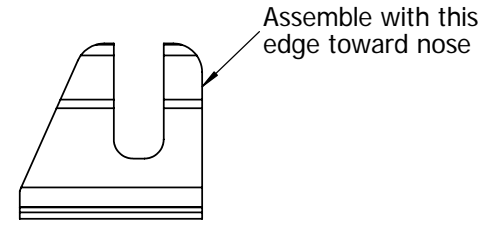
BY:  
PEARSON

REVISION:  
**B**





| ID | Part No  | Part Name                             | Slipstrm | Litestrm |
|----|----------|---------------------------------------|----------|----------|
| 1  | 40B-1201 | Talon 140 Keel                        | 1        | 1        |
| 2  | 10A-2301 | AN4-30A                               | 1        | 1        |
| 3  | 10A-2241 | AN4-24A                               | 1        | 1        |
| 4  | 40P-3302 | WIRE SET BTM REAR SLPSTR-LTSTR        | 1        | 1        |
| 5  | 15B-2013 | ENDCAP 2.0 IN MULTIGAUGE              | 2        | 2        |
| 6  | 20E-2321 | TANG 1 HOLE 2 SLOT 5/8 WEBBING        | 1        | 1        |
| 7  | 20G-1613 | BRACKET KEEL CNTR FALCON 52           | 1        | 1        |
| 8  | 10N-0040 | LOCKNUT LOW PRO 52NKTE-048            | 1        | 1        |
| 9  | 15F-1602 | STAND-OFF 1/8                         | 1        | 1        |
| 10 | 20G-2831 | BASE, PILLAR KP HANG                  | 1        | 1        |
| 11 | 20G-2822 | Spreader Bar, Pillar Hang / Web       | 1        | 1        |
| 12 | 10N-1020 | LOCKNUT 1/4 AN365-428                 | 1        | 1        |
| 13 | 10G-1310 | MS20392-2C31                          | 2        | 2        |
| 14 | 10P-1100 | SAFETY RING AN 9491 SMALL             | 2        | 2        |
| 15 | 10C-2391 | NAS517-439                            | 1        | -        |
| 16 | 20G-1510 | Bracket, VG Pulley Keel Mount         | 1        | -        |
| 17 | 20P-1230 | PULLEY HARKN SHEAVE TOP LEG VG        | 1        | -        |
| 18 | 10B-1101 | AN23-10A                              | 1        | -        |
| 19 | 10U-1140 | WASHER STEEL AN960-416 1/4 THICK      | 1        | -        |
| 20 | 45J-2001 | HANG LOOP SET FUS/TALON STOCK         | 1        | 1        |
| 21 | 10C-2341 | NAS517-434                            | -        | 1        |
| 22 | 20P-1237 | PULLEY HARKN 16mm AIRBLOCK CHEEKBLOCK | -        | 1        |
| 23 | 10M-1651 | SCREW PAN 8-32 X .375 THRD CUT        | -        | 2        |
| 24 | 20G-2905 | KEYHOLE COLLAR NUT ASSY               | 1        | 1        |

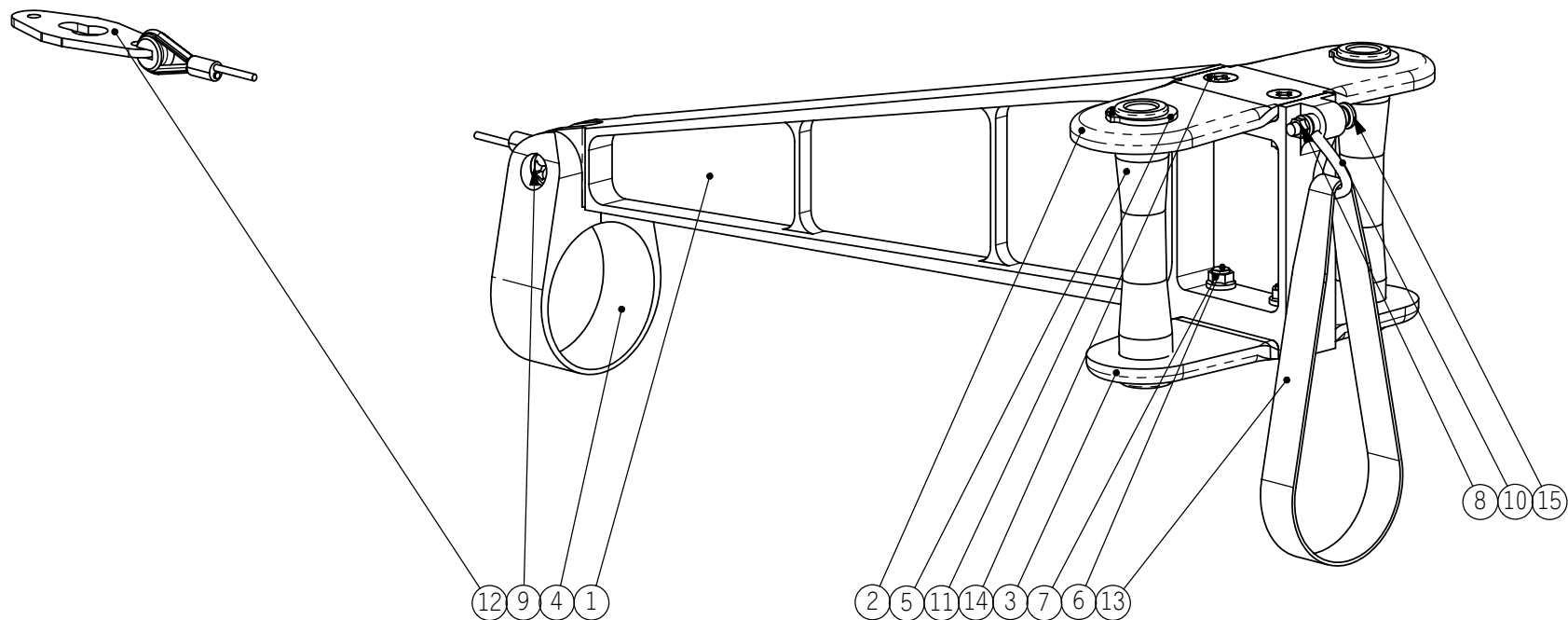


**WILLS WING**  
 500 BLUERIDGE AVE • ORANGE, CA 92865 • PH/FAX (714) 998-6359 / 998-0647

TITLE:  
**Talon 2002 Keel**  
 SLDDWF ID:  
 Talon Keel

DOCUMENT ID: \_\_\_\_\_ DRAWN: 3/30/2004 REVISED: 10/5/2004 STATUS: Released BY: PEARSON REVISION: **C**

| ID | Part No  | Part Name                           | Qty |
|----|----------|-------------------------------------|-----|
| 1  | 20G-4011 | XBAR CENTER WEDGE TYPE 2            | 1   |
| 2  | 20C-1768 | XBAR PLATE TOP CNTR RND CXBAR TYP2  | 1   |
| 3  | 20C-1764 | XBAR PLATE BOTM CNTR RND CXBAR TYP2 | 1   |
| 4  | 15J-3033 | XBAR WEDGE TYPE 2 KEEL SLED         | 1   |
| 5  | 10K-4060 | HINGE PIN COMPOSITE XBAR TYP 2      | 2   |
| 6  | 10C-2071 | NAS517-4-7                          | 2   |
| 7  | 10N-1740 | CLINCH NUT 1/4 MS21042-4            | 5   |
| 8  | 10N-1730 | CLINCH NUT 3/16 MS20142-3           | 1   |
| 9  | 10C-5181 | NAS623-4-18                         | 1   |
| 10 | 20P-1341 | SHACKLE - SS FORGED HALF TWIST      | 1   |
| 11 | 10S-1110 | C-CLIP FUSION XBAR PIN              | 4   |
| 12 | 40P-4208 | WIRE FUSION - TALON XBAR SWEEP      | 1   |
| 13 | 45K-1314 | XBAR STRAP FRONT WEDGE HOLD DOWN    | 1   |
| 14 | 10C-2051 | NAS517-4-5                          | 2   |
| 15 | 10C-4121 | NAS623-3-12                         | 1   |



**WILLS WING**

500 BLUERIDGE AVE • ORANGE, CA 92865 • PH/FAX (714) 998-6359 / 998-0647

TITLE:

**Talon 2002 Keel Beam Assembly**

REVISION:

**B**

SLDDWF ID:

Keel Beam Assy

DOCUMENT ID:

DRAWN:

REVISED:

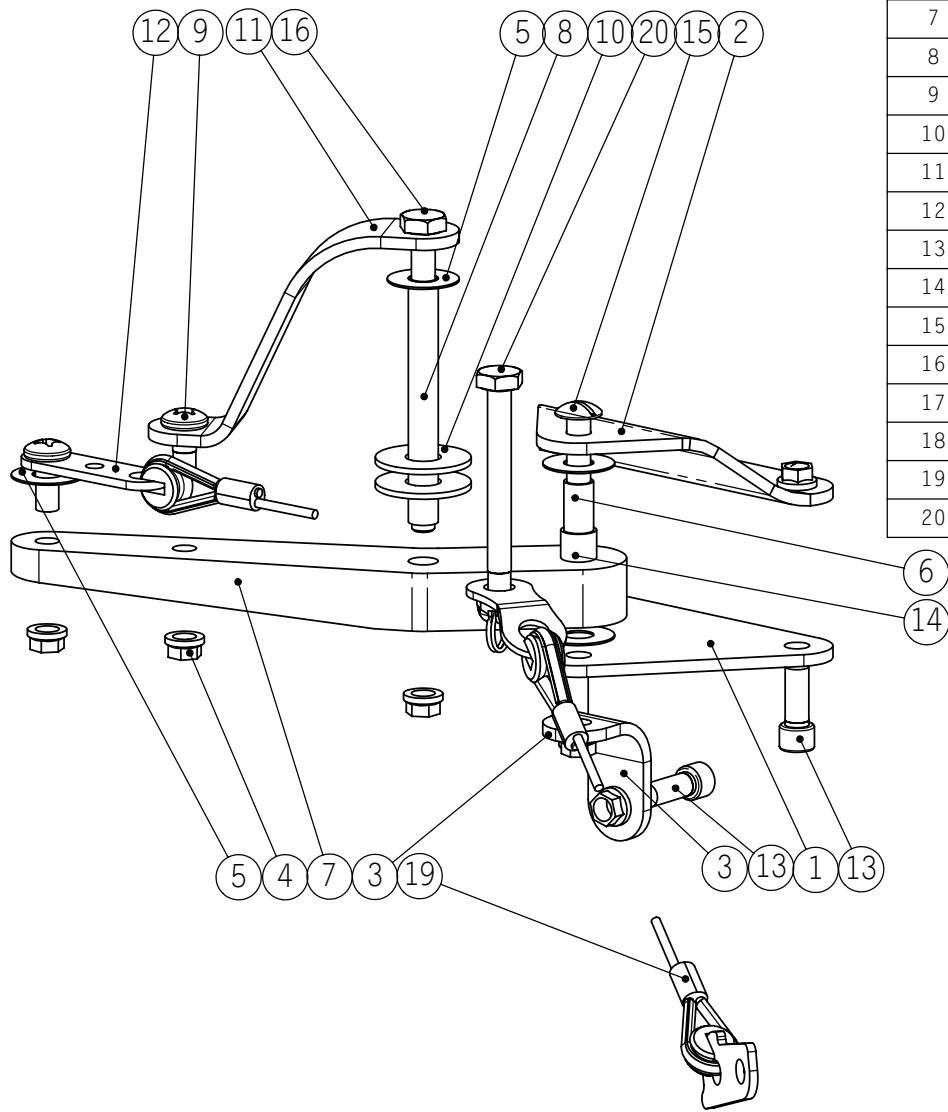
3/30/2004

STATUS:

BY:

PEARSON

| ID | Part No  | Part Name                      | Qty |
|----|----------|--------------------------------|-----|
| 1  | 20C-1782 | Cam Lever Top Plate Flat       | 1   |
| 2  | 20C-1781 | Cam Lever Top Plate Bent       | 1   |
| 3  | 20C-1783 | Cam Lever Support Bent Plate   | 1   |
| 4  | 10N-1740 | CLINCH NUT 1/4 MS21042-4       | 7   |
| 5  | 10U-5125 | WASHER NYLON .75 X .316 X .020 | 4   |
| 6  | 10T-3050 | SPACER SS .310 X .028 X .675   | 1   |
| 7  | 20G-3151 | Cam VG Lever - Left            | 1   |
| 8  | 10T-3055 | SPACER SS .310 X .028 X 2.625  | 1   |
| 9  | 10C-5041 | NAS623-4-4                     | 2   |
| 10 | 10U-5166 | WASHER NYLON 1.00 X .375 X .06 | 2   |
| 11 | 20C-1757 | Support Strap Cam Plate 2.3 XB | 1   |
| 12 | 40P-5102 | WIRE VG CAM LEVER SET          | 1   |
| 13 | 10K-2031 | SCREW SOCKET CAP SS 1/4x28x5/8 | 3   |
| 14 | 10T-7112 | BUSH BRONZE .376 * .313 * .625 | 1   |
| 15 | 10B-2201 | AN24-20A                       | 1   |
| 16 | 10A-2321 | AN4-32A                        | 1   |
| 17 | 10N-1340 | CASTLE NUT 1/4 AN310-4         | 1   |
| 18 | 10P-1100 | SAFETY RING AN 9491 SMALL      | 1   |
| 19 | 40P-3105 | WIRE BTM SIDE SLIPSTRM-LITESTR | 1   |
| 20 | 10A-2240 | AN4-24                         | 1   |



**WILLS WING**

500 BLUERIDGE AVE • ORANGE, CA 92865 • PH/FAX (714) 998-6359 / 998-0647

TITLE:  
**Talon 2002 Cam VG Assembly**

SLDDWF ID:  
Cam VG Lever

DOCUMENT ID:

DRAWN:

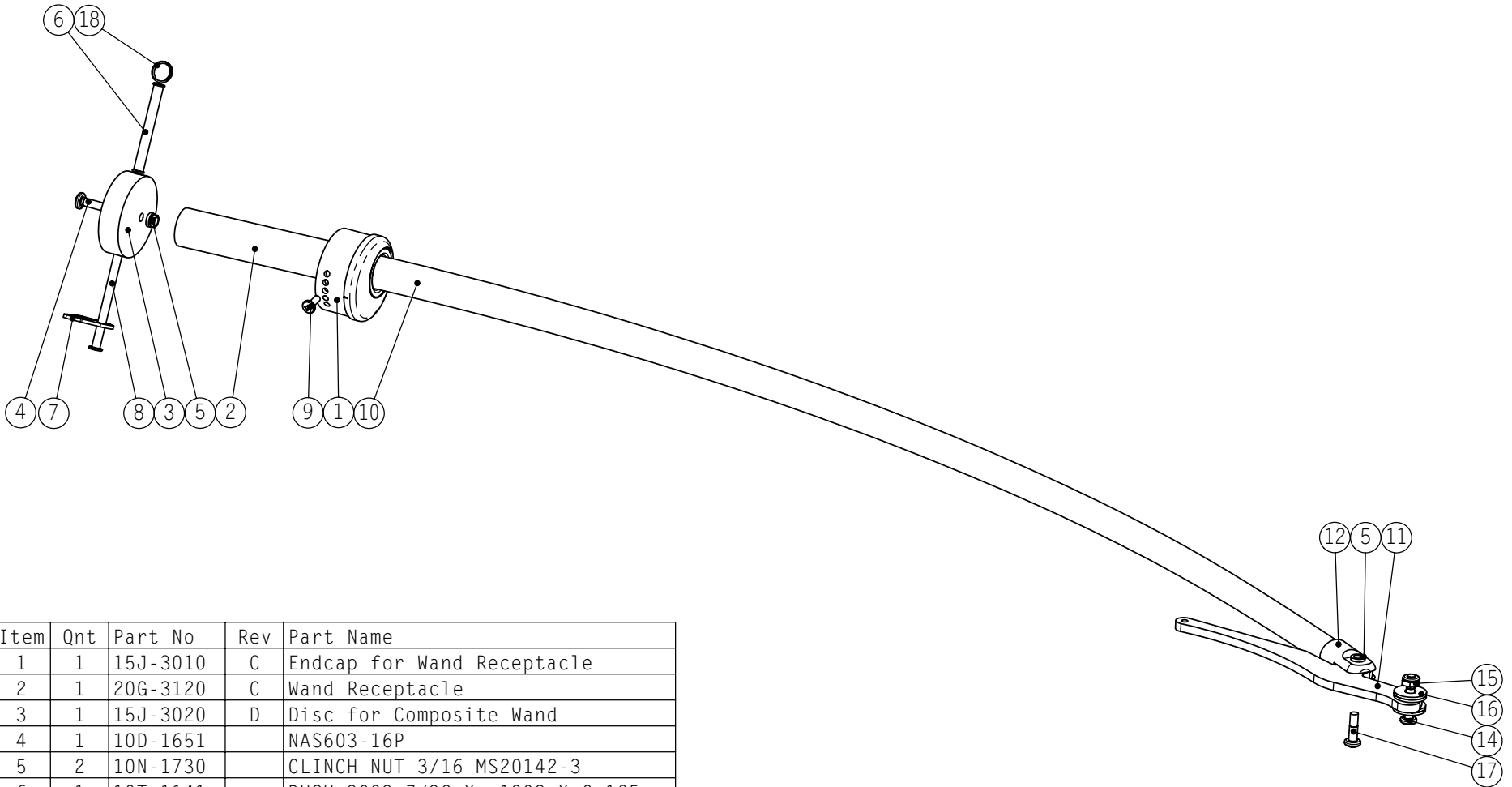
REVISED:  
3/30/2004

STATUS:

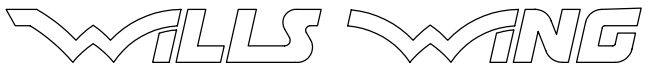
BY:  
PEARSON

REVISION:  
**B**





| Item | Qty | Part No  | Rev | Part Name                       |
|------|-----|----------|-----|---------------------------------|
| 1    | 1   | 15J-3010 | C   | Endcap for Wand Receptacle      |
| 2    | 1   | 20G-3120 | C   | Wand Receptacle                 |
| 3    | 1   | 15J-3020 | D   | Disc for Composite Wand         |
| 4    | 1   | 10D-1651 |     | NAS603-16P                      |
| 5    | 2   | 10N-1730 |     | CLINCH NUT 3/16 MS20142-3       |
| 6    | 1   | 10T-1141 |     | BUSH 3003 7/32 X .1908 X 2.125  |
| 7    | 1   | 20E-2321 |     | TANG 1 HOLE 2 SLOT 5/8 WEBBING  |
| 8    | 1   | 10G-1710 |     | MS20392-2C71                    |
| 9    | 1   | 10M-1651 |     | SCREW PAN 8-32 X .375 THRD CUT  |
| 10   | 1   | 40R-7601 | A   | Tip Wand                        |
| 11   | 1   | 20G-3140 | C   | Wand Lever                      |
| 12   | 1   | 20G-3130 | C   | Wand Cup                        |
| 14   | 1   | 10C-4121 |     | NAS623-3-12                     |
| 15   | 1   | 10N-1230 |     | LOCKNUT LOWPRO 3/16 AN364-3     |
| 16   | 4   | 10U-5124 |     | WASHER NYLON .735 X .250 X .062 |
| 17   | 1   | 10C-4061 |     | NAS623-3-6                      |
| 18   | 1   | 10P-1100 |     | SAFETY RING AN 9491 SMALL       |



500 BLUERIDGE AVE • ORANGE, CA 92865 • PH/FAX (714) 998-6359 / 998-0647

TITLE:  
**Tip Wand Assembly**

SLDDWF ID:  
rear leading edge and wand

DOCUMENT ID:

DRAWN:  
3/6/2003

REVISED:  
3/17/2004

STATUS:

BY:  
PEARSON

REVISION:  
**B**